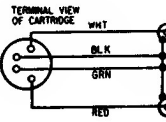
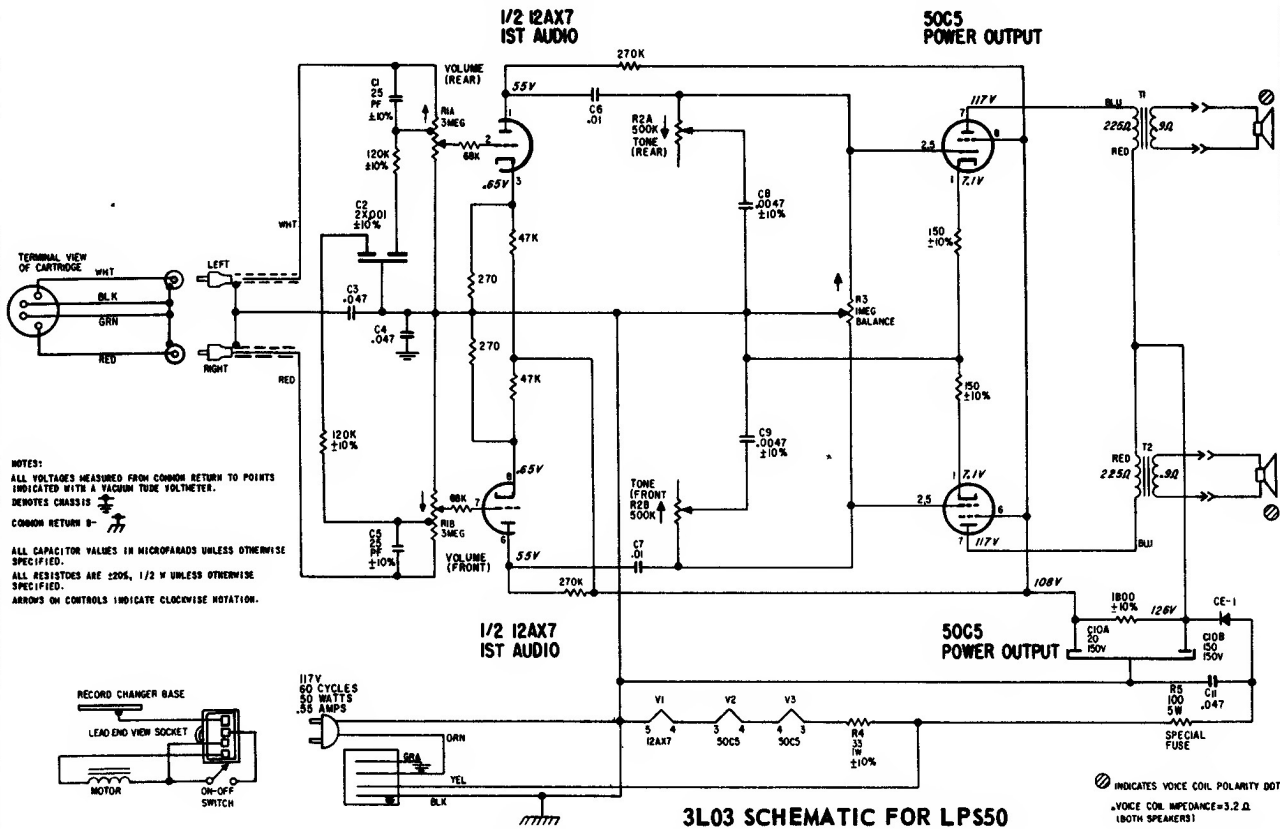


ZENITH Chassis 3L03, Model LPS50



NOTES:

ALL VOLTAGES MEASURED FROM COMMON RETURN TO POINTS INDICATED WITH A VACUUM TUBE VOLTMETER.

REMOVES CHASSIS

COMMON RETURN

ALL CAPACITOR VALUES IN MICROFARADS UNLESS OTHERWISE SPECIFIED.

ALL RESISTORS ARE 500Ω, 1/2 W UNLESS OTHERWISE SPECIFIED.

ARROWS ON CONTROLS INDICATE CLOCKWISE ROTATION.

⊗ INDICATES VOICE COIL POLARITY DOT

⊙ VOICE COIL IMPEDANCE=3.2 Ω (BOTH SPEAKERS)